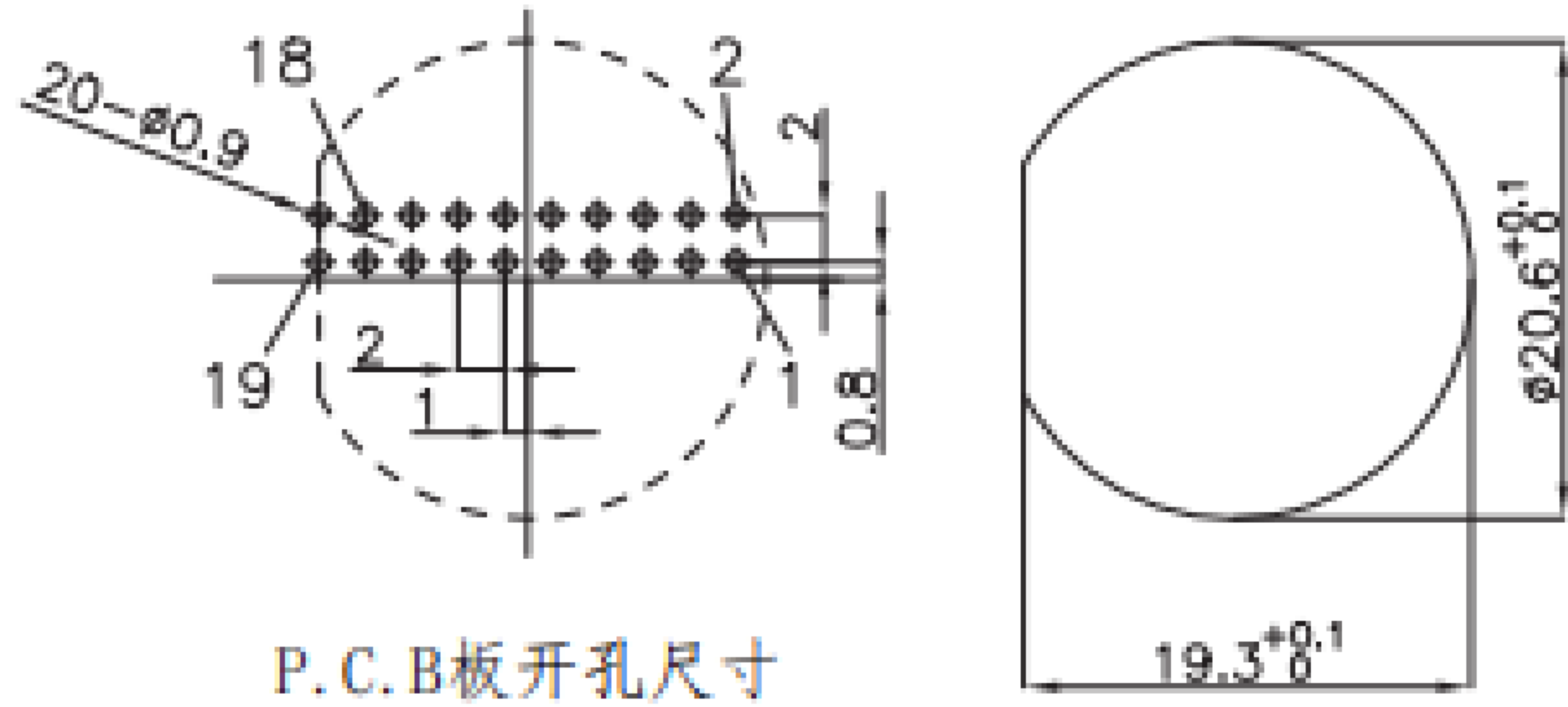


开孔尺寸
hole opening size



HDMI 母板后PCB插座(螺纹式)
HDMI Female Back Mount PCB Receptacle(Threaded)

E13T - F H4 - PPF

规格:
H2:HDMI 2K
H4:HDMI 4K
H8:HDMI 8K

| 产品参数 PRODUCT PARAMETERS | | | |
|--------------------------|---|--------------------------------|---|
| 塑料材料 Plastic Material | PA66, 尼龙, 增强尼龙, 硅胶 PA66, Nylon, Reinforced Nylon, Silicone | 绝缘电阻 Insulation resistance | $\geq 100 \text{ m}\Omega \text{ DC500V}$ |
| 金属材料 Metal Material | 铜镀金 Copper gold-plated | 接触电阻 Contact resistance | $30 \text{ m}\Omega$ |
| 连接方式 Coupling | 螺纹锁紧(T);卡扣锁紧(B) Thread (T); Bayonet(B) | 适用温度 Applicable temperature | $-40^\circ\text{C} \sim +105^\circ\text{C}$ |
| 接线方式 Termination way | 焊接、焊板 Solder, Welding plate | 额定电流 Rated current | 50 mA |
| 插拔次数 Durability | ≥ 500 次(Cycles) | 防水等级 Waterproof grade | IP67 |

东莞市高迪电子有限公司
DONG GUAN GAO DI ELECTRONICS CO., LTD

TOLERANCE UNLESS OTHERWISE STATED: Up to 5 ± 0.2 , Above 5 ~ 15 ± 0.3 , Above 15 ~ 30 ± 0.4 , Above 30 ~ 50 ± 0.5 , Angle $\pm 0.3^\circ$

3RD. ANGEL'S UNITS MM

| | | | | |
|--------------|----------|-----------|----------|-------------------|
| DRAWN BY: | DATE | MAT'L | TITLE | CONNECTOR |
| Jack Lu | 12/13/19 | | | |
| CHECKED BY: | DATE | FINISH | MODLE | E13T - F H4 - PPF |
| Jacky Chen | 12/13/19 | | | |
| APPROVED BY: | DATE | SCALE | DWG NO. | |
| Tony Kao | 12/13/19 | 1 : 1 | | |
| | | SHEET NO. | PART NO. | |
| | | 1 of 1 | | |

| ITEM NO. | DESCRIPTION | DRAWN | DATE |
|----------|-------------|-------|------|
| | | | |

SIZE
A4
VER
R1